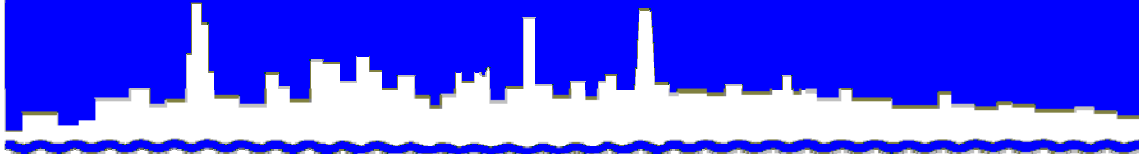


Protecting Our Water Environment



Metropolitan Water Reclamation District of Greater Chicago

***MONITORING AND RESEARCH
DEPARTMENT***

REPORT NO. 09-29

MONTHLY CONTROLLED SOLIDS

DISTRIBUTION REPORT

FEBRUARY 2009

MAY 2009

Metropolitan Water Reclamation District of Greater Chicago

100 EAST ERIE STREET CHICAGO, ILLINOIS 60611-3154 312.751.5190

Louis Kollias, P.E., BCEE
Director of Monitoring and Research
louis.kollias@mwr.org

May 12, 2009

Mr. S. Alan Keller, P.E.
Manager, Permit Section
Illinois Environmental
Protection Agency
1021 North Grand Avenue East
P.O. Box 19276
Springfield, IL 62794-9276

Dear Mr. Keller:

Subject: Metropolitan Water Reclamation District of Greater Chicago – Controlled Solids Distribution Program, Illinois Environmental Protection Agency Permit No. 2005-SC-3793, February 2009

This letter transmits information and data for the Metropolitan Water Reclamation District of Greater Chicago - Controlled Solids Distribution Program for February 2009, as required by Illinois Environmental Protection Agency Permit No. 2005-SC-3793.

Sludge flow schematic diagrams for solids processed during February 2009 are shown in Figure 1 - John E. Egan Water Reclamation Plant (WRP), Figure 2 - Calumet WRP, and Figure 3 - Stickney WRP.

No biosolids were distributed to any site in February 2009.

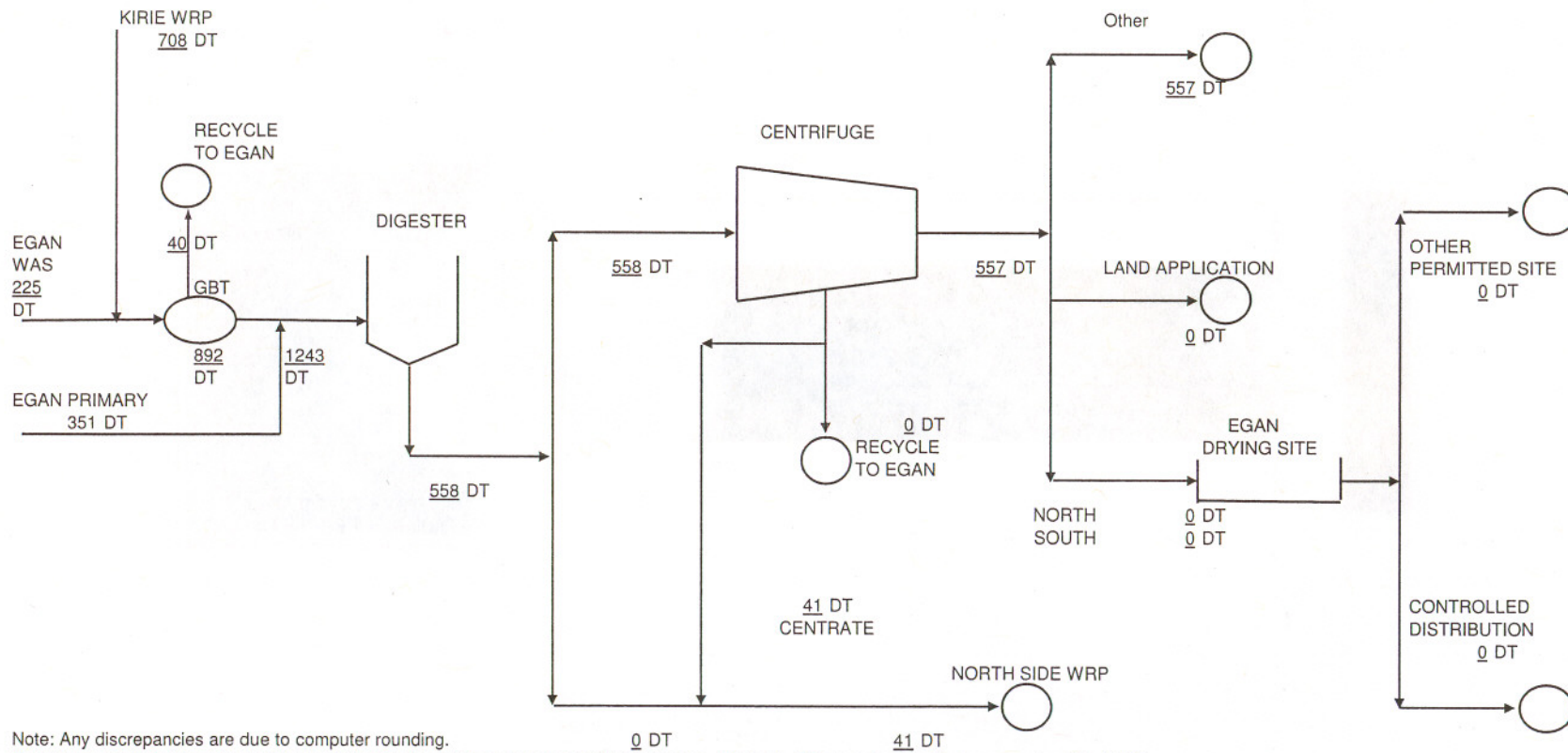
Very truly yours,

Louis Kollias
Director
Monitoring and Research

LK:KK:kq
Attachments
cc: Aistars (USEPA)
Sulski (IEPA)
Sobanski
Granato/O'Connor/Cox

J.E. EGAN WRP SOLIDS DISTRIBUTION- FIGURE 1

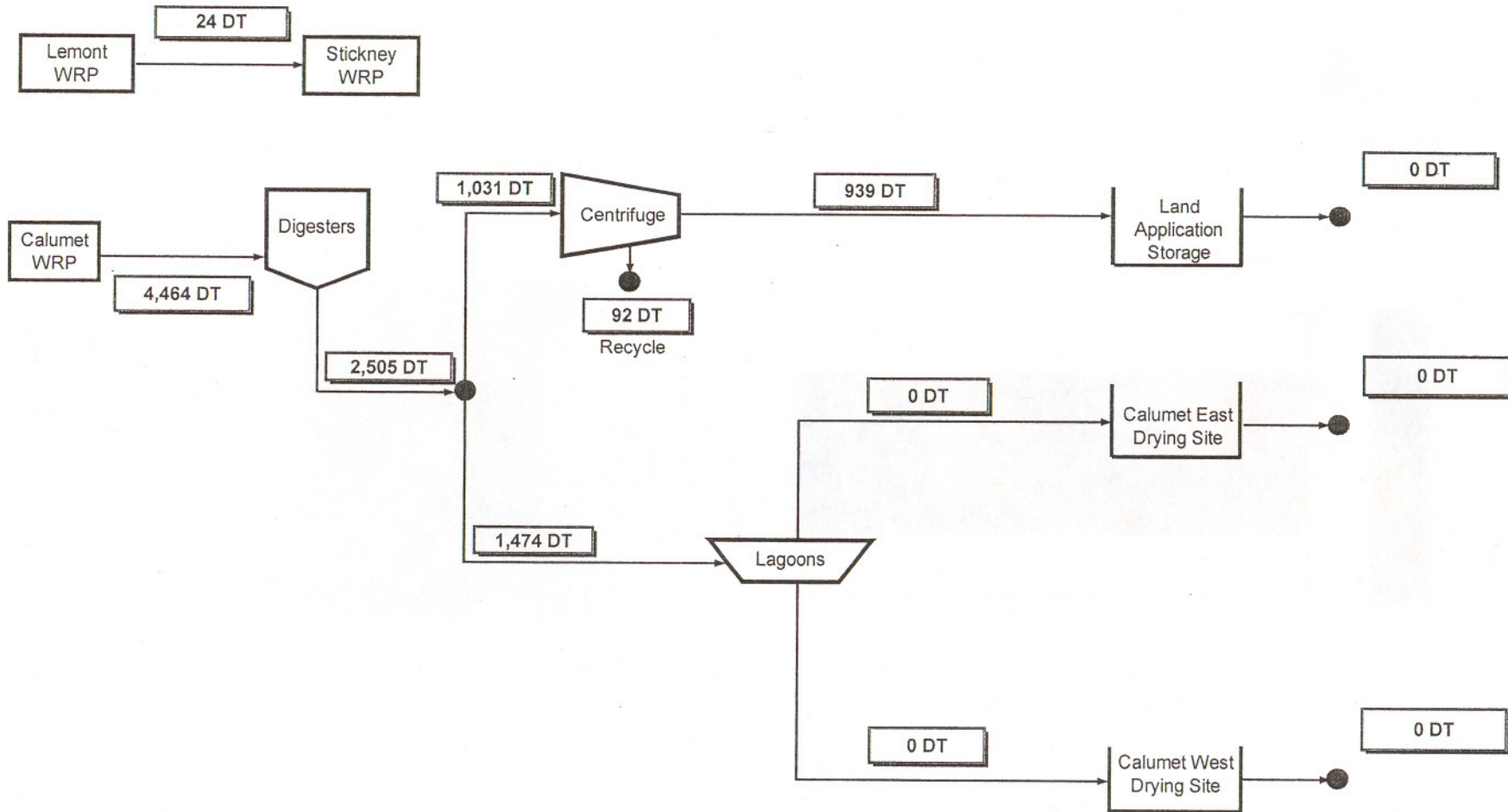
February-09



Note: Any discrepancies are due to computer rounding.
Centrifuge feed DT exceeds Centrifuge draw DT by 1 DT because of sample anomalies. Centrate DT are estimated to be approximately 41 DT.

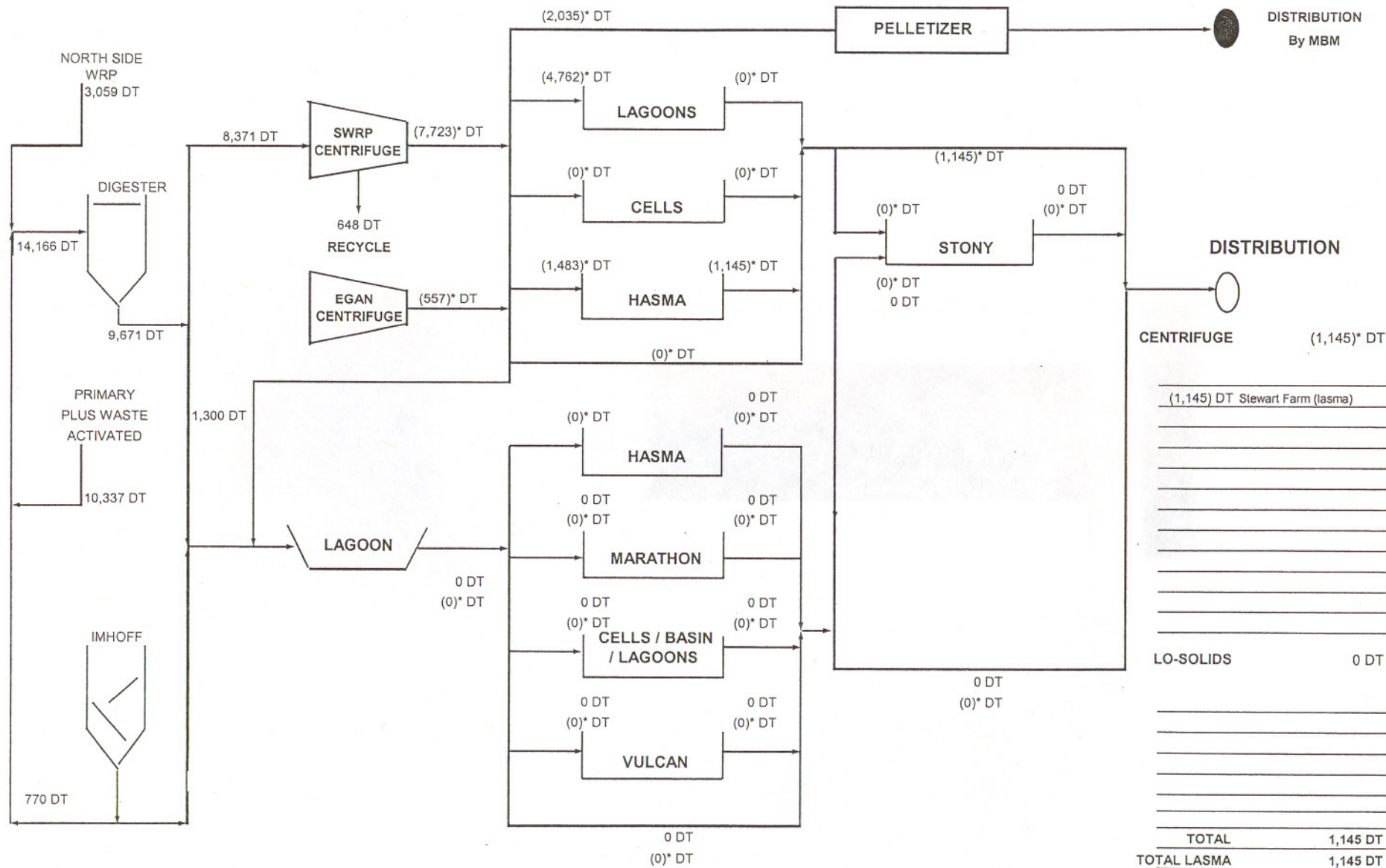
CALUMET WRP SOLIDS DISTRIBUTION - February 2009

Figure 2



STICKNEY WATER RECLAMATION PLANT SOLIDS DISTRIBUTION FOR FEBRUARY 2009

Figure 3



jg 4/20/09